

I OPERATING PRECAUTIONS

Place the turntable on a horizontal support free of vibrations. For prevention of acoustical feedback, the speakers must be placed a sufficient distance from the turntable. Save packaging should shipping become necessary!

Warning: If this turntable is not set for the power requirement in your area, adjust the selector switch as follows:

- 1) Locate wall power transformer.
- 2) Turn the switch actuator to the voltage indication corresponding to the power of your area.

II ASSEMBLY/ADJUSTMENT

Assembly:

- 1) Locate counterweight, headshell, dustcover hinges, and 45 rpm adapter-usually packed in foam packaging. Locate the platter-packed in a small separate box and the line cord.
- 2) Set platter on turntable spindle; through large slot in platter, loop drive belt around motor pulley (see Fig. 1). Belt is on the inside drive rim of platter.
- 3) Attach the counterweight to the tonearm (see Fig. 2).
- 4) Cartridge Mounting To The Headshell:

Punch a hole in the circle of the alignment gauge. Place the gauge on the platter spindle. Orient the pickup with aid of the gauge. Screws may enter from either side. The cartridge body should be parallel to the lines at both radii as much as possible before tightening the screws. You will have to slightly rotate the platter when checking this. If you must compromise, adjust for best tracking at smaller diameters. If in a hurry, towards the back will suffice for most pickups.

Adjust the cartridge such that its top is parallel in all directions to the record surface with small paper/cardboard shims at either side and/or the rear or front of the mounting surface. Wire as follows: green to right ground, blue to left ground, red to right, and white to left.

Adjustment Of Tracking Force:

- 1) Set the Anti-Skate knob to "0."
- 2) Set the cueing lever to the down position.
- 3) Release the arm clamp and move the tonearm to the space between the arm rest and the platter, taking care not to damage the stylus.
- 4) Adjust for balance by turning the counterweight either clockwise or counterclockwise (Fig. 3).
- 5) Return the tonearm to the arm rest and fasten the arm clamp.
- 6) Hold the counterweight at the adjusted position and turn the tracking force dial until the "0" mark is aligned with the index line on the tonearm shaft (Fig. 4).
- 7) Turn the counterweight/tracking force dial assembly counterclockwise till the desired tracking force is opposite the index line. For forces above 3.0 grams, simply continue past the three for the additional force.

Anti-Skating Adjustment

Set the anti-skate control (Fig. 5) to a position which corresponds to the adjusted tracking force. If the cartridge tracking force is adjusted for 2.0 grams, the anti-skate control should also be set to 2.0.

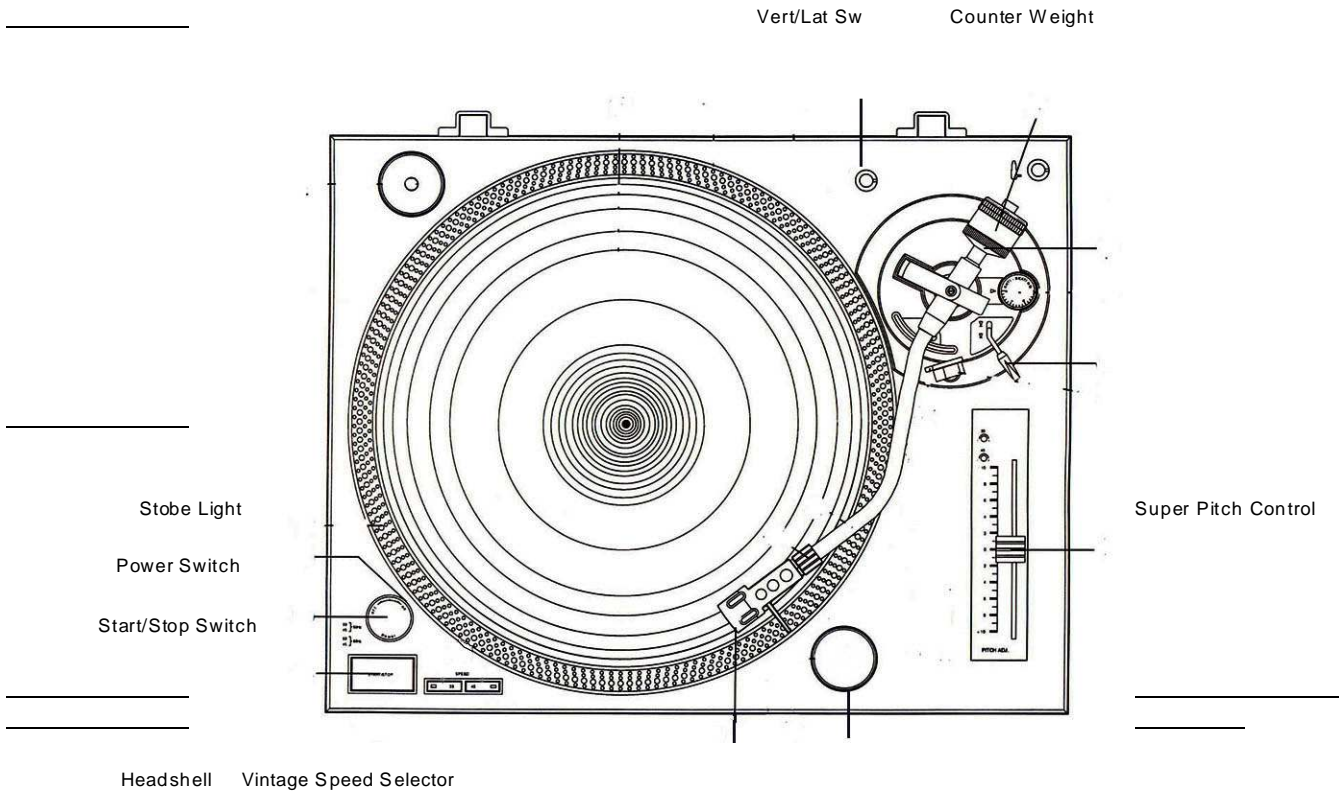


Fig. 1

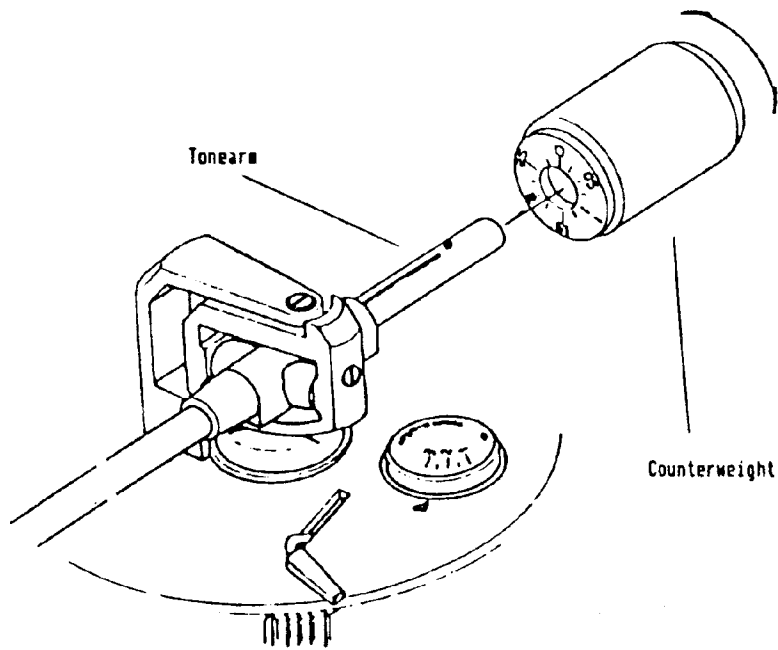


Fig. 2

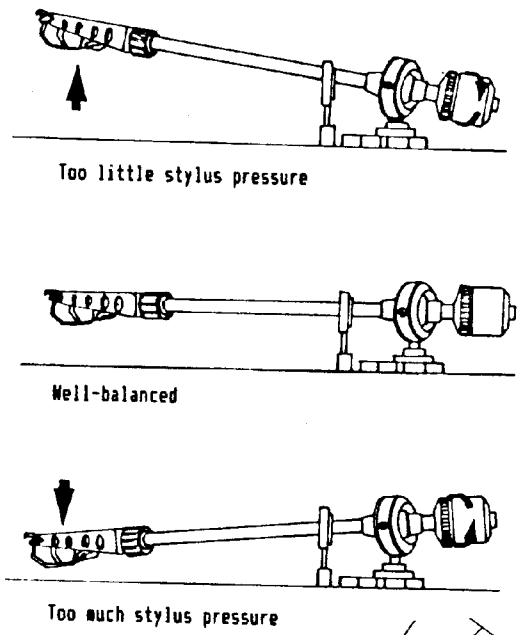


Fig. 3

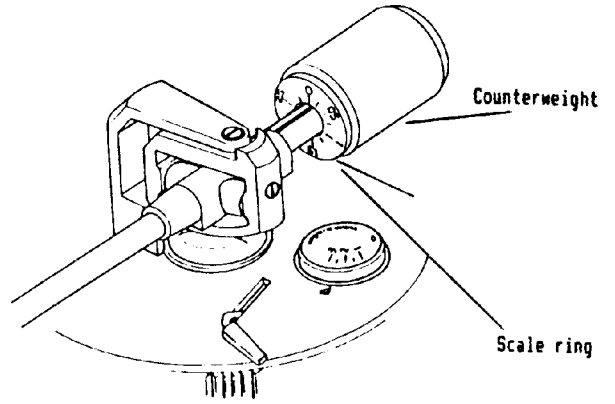


Fig. 4

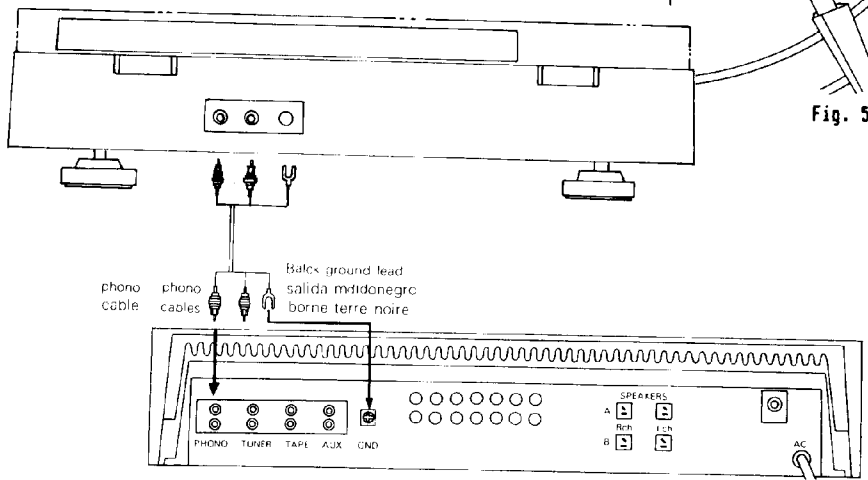
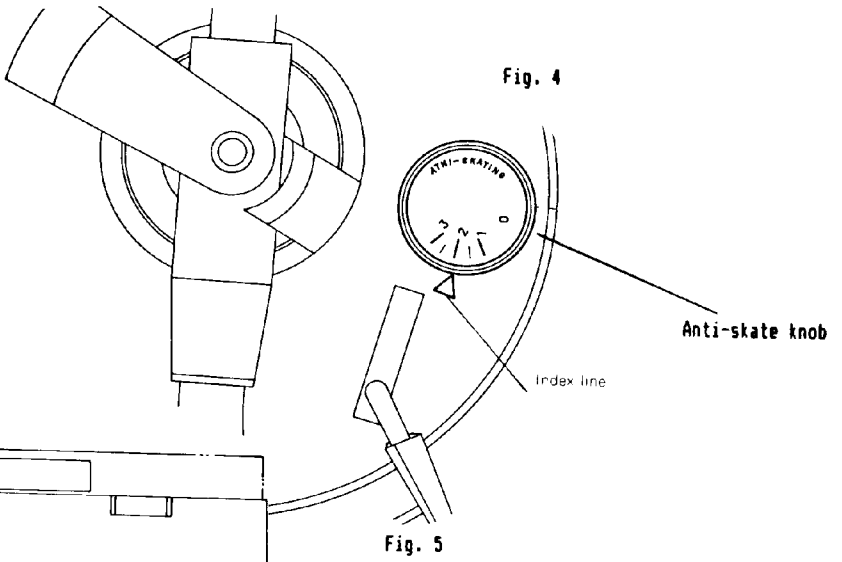


Fig. 6

Adjustment Of The Platter Speed

- 1) For speeds 33 & 45 the Vintage Speed switch should be set to "45."
- 2) Press the 33 or 45 speed button.
- 3) Turn the "power" knob to "on," then press the "start" button. Table will begin rotating.
- 5) Observe appropriate strip of strobe dots on the platter edge. Lower strip is for 60 Hz mains, the upper for 50 Hz.
- 6) Adjust the "pitch" control until the strobe dots appear stationary. At 33 rpm, a slip of 25 dots is only about a 0.1% speed variation. At 45 rpm about 0.15%.
- 7) Vintage Speed Adjustment:
 - A) For speeds 71 thru 90 rpm, the "45" button should be depressed.
 - B) Select 71 thru 90 rpm speed with Vintage Selector Switch.
 - C) For critical use, the pitch control may be adjusted so that the strobe lines for "78" do not move. All other "Vintage" speeds will now be in calibration.
- 8) Continuous Speed Adjustment:
 - A) Set 45 rpm speed. The Super Pitch Control will now vary speed from 30 to 55 rpm.
 - B) Set 78 rpm speed. The Super Pitch Control will now vary speed from 55 to 95 rpm.
 - C) Set 90 rpm speed. The Super Pitch Control will now vary speed from 65 to 110 rpm.

Connection

The phono cables and ground lead attach at turntable rear. Connect one end of supplied stereo cable to turntable and other end to amplifier. Connect the black ground lead to the amplifier ground terminal (Fig. 6). Finally plug the power cord into to power outlet. Orient it to minimize hum when the volume is moderately high.

III OPERATION

Suggested Speed Settings For Vintage Records

The setting of the Auxiliary "Vintage" speed selector switch converts the main "45" setting only. Do not use it with the main selector at "33." The following are recommended settings for vintage records:

Berliner, Early Victor (no label), Zonophone - 71.29

Acoustic Victor (many) - 76.59

"Modern" "78's" - 78.26

Edison, Pathe vertical (paper label), acoustic Columbia & Okeh, Most vertical - 80

Some Pathe - 90 to 100

Note:

Use the strobe markings around the circumference of the platter to quickly find 90("45") or 100("33") rpm. Use the Super Strobe to find these and other vintage speeds. Use your ear as the ultimate instrument.

Playing A Record

- 1) Select the speed for the record to be played.
- 2) Rotate the "power" button to "on" position. This may start platter rotation. Press "start/stop" if necessary.
- 3) Place a record on the turntable platter - use the 45 adapter when large diameter center hole records.
- 4) Move the cueing lever to the up position.
- 5) Push in the "start/stop" button to start platter rotation.
- 6) Position the tonearm above the first groove of the record and move the cueing lever to the down position. The

tonearm will gently drop to the playing surface.

7) At the end of the side, lift the tonearm off the record surface with the cueing lever.

Record Cueing (especially useful when assembly editing on a tape recorder)

1) Engaging the stylus to the playing surface and rotate the platter manually to the beginning of sound desired.

2) Rotate platter by hand about 3/4 turn (33), 1 1/2 turns (78) counterclockwise.

3) Push start button.

Vertical/Lateral Switch

The normal position for this switch is towards the colored dot. This corresponds to lateral cut records including stereo Lp's. To play a vertical cut record, such as an Edison or Pathe:

1) Move Vert/Lat switch actuator away from colored dot.

2) Play record same way as regular records.

3) To Remove center solo performer or singer from stereo Lp record, set Vert/Lat switch away from color dot and set amplifier "mode" control to mono. Monophonic recordings can be produced less these soloists in this manner.

Edison Records

1) Machine's default setting is for slightly thicker discs. It is a compromise height which should work with all discs.

If necessary, use extra mat when playing standard size discs.

V FURTHER CONSIDERATIONS

The "mode" control of your amplifier should set to mono when listening to mono records so as to minimize rumble. Similarly, the feed to a tape recorder (which is not affected by the "mode" control) should be paralleled when making recordings. The right and left "tape output" of your amplifier may be combined with a "Y" connector set to accomplish this. This function along with proper record compensation for non-RIAA records is performed by the Esoteric Re-Equalizer.

Also useful on older and or worn discs are the special undersized and oversized styli made for Esoteric Sound to fit Grado DJ-100 cartridges. These styli are available in a variety of diameters, i.e., 2.0, 2.5, 3.0, 3.5, and 4.0 mil which either fit older grooves better or play above or below the wear caused by earlier more abusive styli.

VI PROBLEMS

No belt Check again. It's on the inside rim of the platter.

No platter rotation Belt fell off of platter.

Runs slow at 78 You forgot to set main speed to "45."

Hum or no sound Check that the black ground wire is hooked between the turntable and the amplifier. Clean the headshell pins by rubbing them on a piece of cloth.

Hum when Vert/Lat Sw set to vert. Shure and some other cartridges are internally wired different from Stanton/Grado/etc. Reverse channel wiring in headshell. Then reverse cables coming from turntable base.

- Skipping** Increase tracking weight, experiment with adjustment of anti skating force.
- 14" disc hits lift mechanism** Use an extra record mat, or remove exiting record mat to adjust clearance. Last resort, remove arm lift mechanism by removing philips-head screw and taking it off.
- Cartridge Sets funny with some records** Mount another cartridge in another headshell and shim it for proper alignment for use with that type of record. You may probably have to do this for Edison records.

VII SPECIFICATIONS

Type: Belt-drive, DC motor, fully manual	Rumble: -75 db
Speeds: 33.33, 45, 71.29, 76.59, 78.26, 80, 90rpm	Tonearm: Statically balanced, S-shape, Manual
Continuous Range: 60 to 105 rpm	Wow and flutter: Less than 0.015 (WRMS)
Turntable platter: 13 1/16," 1.75 Lbs	Power supply: 110/220 VAC, 60/50 Hz
Minimum recommended tracking force: 1.5 grams	Dimensions: 17 3/4" X 13 3/4" X 6"
Maximum disc size: 14"	

- VINTAGE RECORDS -

We regularly engage in selling "78" rpm records, LP's, broadcast transcriptions, broadcast and commercial tape recordings, and occasionally audio equipment by mail auction at reasonable prices. Let us know if interested.

- WARRANTY -

This product has been manufactured to precise standards and rigid quality control. Return authorization must be obtained before making any return. **Unit should be returned in it's original packing otherwise cost of repair for damage incurred will be charged.** We can advise you as to alternate proper packing should this not be available. For the USA, include a payment of \$12.00 for reshipping. Foreign locations must prepay return freight. Foreign customers will be given the option of having parts sent for their installation. It is fully warranted against defective materials or workmanship under the normal use for the warranty period of 1 year from time of purchase to the original owner. Repairs, adjustment for defects or replacement of parts will be performed free of charge, except:

- a) If equipment has been damaged by accident or mishandling.
- b) If equipment has been serviced or modified by other than our authorized agents.
- c) In case of theft, loss, fire or other calamities by the Acts of God.

ESOTERIC SOUND
 4813 WALLBANK AVE.
 DOWNERS GROVE, IL 60515
 VOICE/FAX (630) 960-9137
 E-Mail ESOTERICTT@AOL.COM